

PumoRi 7165

Ubiquitous Pulseoximeter PumoRi 7165

Performance

PumoRi 7165 has greatly improved the performance of practical measurement by its calculated equipment design and proprietary ELR technology.

60hours

PumoRi 7165 achieved 60 hours continuous operation by our own energy-saving technologies, the longest time in its class.

Durability

The chassis of PumoRi 7165 is made of polycarbonate which has advantage of superior strength and designed to withstand carrying.

Not only for Adults

The PumoRi 7165 weights 33g (battery included)
Minimum finger slot is 6.5mm, and open up to 30mm. Compliant from children (infants) to adults.

PI perfusion

PumoRi 7165 can grasp the measurement state by four-step peripheral perfusion shown in the display.



High



Middle



Low



Poor



PMR/BG
Blue Green
JAN : 4582343412116



PMR/PK
Pink
JAN : 4582343412123



PMR/WT
White
JAN : 4582343412130



PMR/YL
Yellow
JAN : 4582343412147

The actual colors may look different due to the printing condition.



The World's Best Performance - UBIX's Technology

PumoRi 7164 is a much improved performance of practical measurement by its worked-out equipment design and a unique ELR (External Light Reduction) technology. We are proud of our world's highest quality of the equipment.

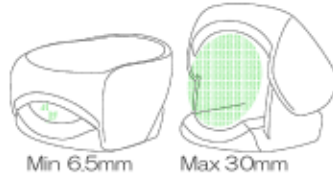
Durability

For small devices are expected to be used in harsh environments. Durability is an important part of model selection.

- The exterior is made of impact-resistant polycarbonate.
- Shaft is hinge-less structure which doesn't concentrate a power in one point.
- The flat cable has break-resistant structure with stretched piano wires on both sides.

Compliant from children (infants) to adults

The aperture size is 6.5mm up to 30mm. Utilizable for pediatric (infant: 10kg or more) and adult.



Only 33g

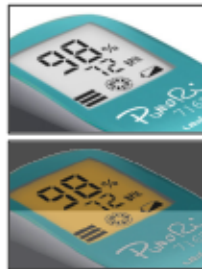
Stress free measurements, ultra-lightweight design. Thanks to the pursuit of weight reduction, it could lessen the burden for pediatric, children and the elderly patients. It is felt even lighter than the original due to the weight distribution of an internal device.

60 hours Battery Life

60 hours continuous operation has been achieved by our own energy-saving technologies, the longest time in its class (except when using the backlight).

Easily Viewable Display

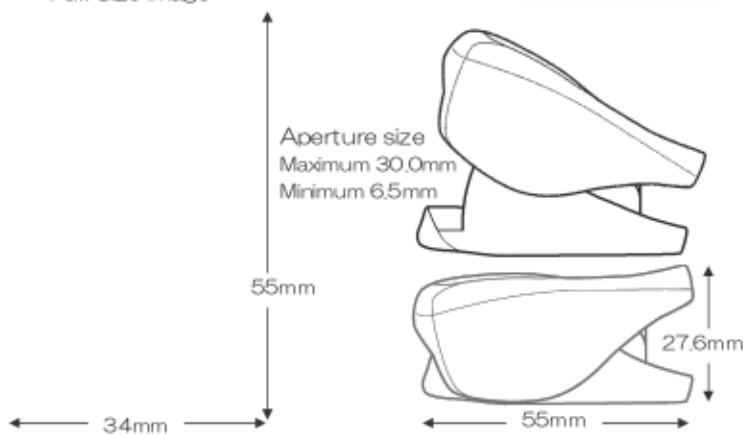
Necessary information such as battery-see pulse bar, SpO2, Pli and pulse rate are visible displayed.



Backlight

PumoRi 7165 backlight automatically turns on in a dark place less than 20 lux.

Full Size Image



Main Specifications

Absorbance Measurements	Two-wavelength measurement system
Measurable Perfusion Range and Accuracy	%SpO ₂ : 0 to 100%, ±2digit(70 to 100%) Measurable Pulse rate: ±3digit
Display (with backlight)	%SpO ₂ , Pulse, Pli, Battery level
Battery Life	60 hours (Total driving time)
Dimensions and Weight	34 (W) × 55(H) × 27.6mm (D) 33g (battery included)
Safety Compliance Standard	IEC 60601-1 Internally-powered equipment: Type BF applied part
EMC	IEC 60601-1-2
Medical Device Certification Number	223AGBZX00002000

PumoRi

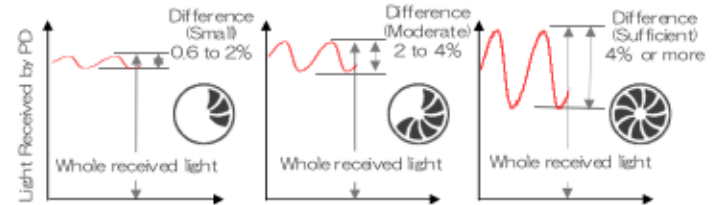
7165

Made
in
Japan

Pli Perfusion index

PumoRi displays a state of peripheral perfusion (Pli) in four levels. Pulse oximetry calculates the SpO₂ value based on the changes in the amount of light received which caused by peripheral perfusion. It helps to select fingertip for a measurement, and to figure out status of the measurement.

$$PI (\%) = \frac{\text{Difference of the amount of light received}}{\text{Total amount of light received}} \times 100$$



QR Code

Each product of PumoRi 7165 is labeled QR code (serial number). You can easily manage the device.



Comprehensive Total Care Services

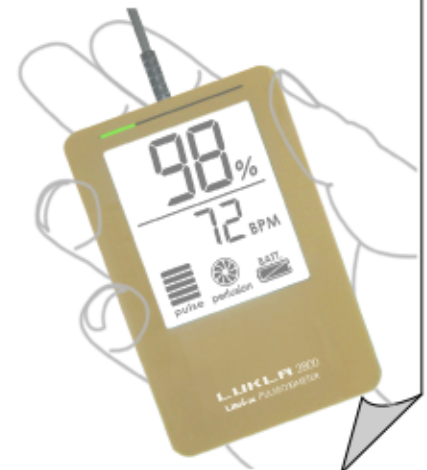
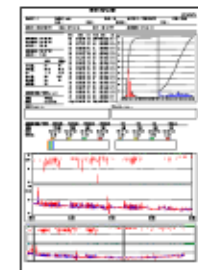
UBIX Corporation supports relief.

- 10-day repair service
- Software upgrade service
- Extended Maintenance Service
- Replacement (TR) Support
- Free inspection during the warranty period

LUKLA 2800

Related Products

We offer LUKLA 2800, a hand-held pulse oximeter for in-memory data analysis, alarm and over time monitoring equipment.



The shape and design of the equipments mentioned in this catalog may change without notice.

01105

UBIX Corporation, Manufacture and Trade